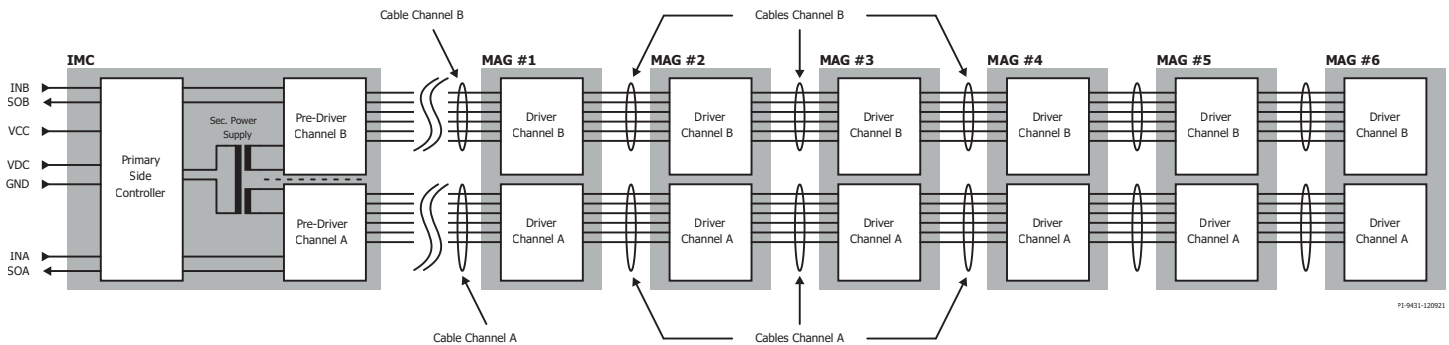




# SCALE-iFlex™ LT Dual-Channel Plug-and-Play Gate Driver

- For EconoDUAL™ and equivalent 17 mm modules
- ≥20% higher converter power using the same hardware
- Optimized for symmetrical paralleling
- Advanced Active Clamping (AAC) allows higher DC link voltages
- Lower switching losses increase efficiency
- Integrated booster stage provides higher di/dt

## Isolated Master Control (IMC) and Module Adapted Gate Driver (MAG) for up to 1700 V Half-Bridge Power Modules



## Applications

- Wind converters and other renewables
- Power quality
- Commercial air conditioners
- Medium-voltage drives

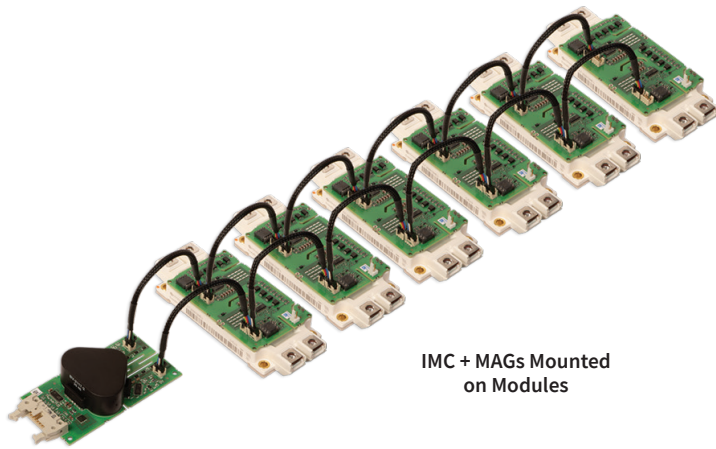
## Product Details

### Isolated Master Control

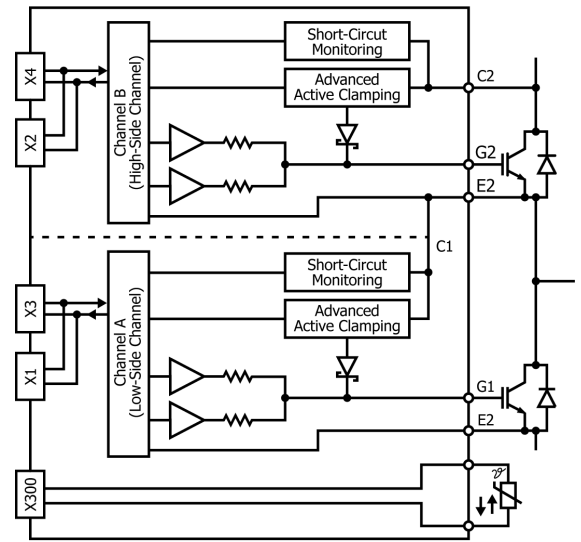
Part Number	Power Module	Voltage Class	Current Class	Package	Power Device Supplier
2SIL1200T2A0-17	N.N.	1700 V	N.N.	EconoDUAL™ 3, NX, Dual XT, LoPak	Infineon, Mitsubishi, Fuji, Hitachi Energy

### Module Adapted Gate Driver

Part Number	Power Module	Voltage Class	Current Class	Package	Power Device Supplier
2SML0220D2E0-FF600R17ME4	FF600R17ME4	1700 V	600 A	EconoDUAL 3	Infineon



IMC + MAGs Mounted on Modules



PI-9430-081421

## Design Support

Data Sheet

SCALE-iFlex LT data sheet ([www.power.com/scale-iflex-lt-data-sheet](http://www.power.com/scale-iflex-lt-data-sheet))